

HOLTOP

FRESH AIR MAKES YOU HEALTHY

FRESH AIR MAKES YOU IMPROVE WORK EFFICIENCY

FRESH AIR MAKES YOU COMFORTABLE

FRESH AIR MAKES YOU SLEEP BETTER

FRESH AIR FOR YOUR LIFE

HOLTOP

Beijing Holtop Air Conditioning Co.,Ltd

No. 5 Yard, 7th Guanggu Street, Badaling Economic Development Zone,
Yanqing District, Beijing, China

Telephone: +400-628-2002

Website: www.holtop.com.cn

E-mail: export@holtop.com.cn



360°FACTORY TOUR



FACEBOOK



ECO-VENT **PRO**
Energy Recovery Ventilators

* Data is subject to changes without notification due to product improvement

We breathe in
18kg^{*1} of
AIR
a person a day

Holtop is dedicated to
deliver fresh air for your life.

Our aim is to create Total Air Solutions that let you
enjoy perfect Building Air Quality.

 **FOOD**
1.3kg^{*2}
a person
a day

 **WATER**
1.2kg^{*3}
a person
a day

**FRESH AIR IS ESSENTIAL TO IMPROVE BUILDING AIR QUALITY.
WE IMPROVE THE QUALITY OF AIR,
SO YOU CAN ENJOY THE QUALITY OF LIFE.**

FRESH AIR MAKES YOU HEALTHY

FRESH AIR MAKES YOU IMPROVE WORK EFFICIENCY

FRESH AIR MAKES YOU COMFORTABLE

FRESH AIR MAKES YOU SLEEP BETTER

FRESH AIR FOR YOUR LIFE

• *1 : Iwao Uchiyama (Department of Occupational Health, National Institute of Public Health) "Air and Human Beings: from the Physiological Viewpoint" (1999) <https://ci.nii.ac.jp/naid/110008447936/>

• *2, *3 : Heat illness Prevention (Chapter 3) in "Heat illness Environmental Health Manual 2018", P.32, Figure3-2 by Ministry of the Environment, Government of Japan. http://www.wbgt.env.go.jp/pdf/manual/heatillness_manual_3-1.pdf

ECO-VENT^{PRO}

Energy Recovery Ventilators

ERVQ-D150-2A1 / ERVQ-D250-2A1 /
ERVQ-D350-2A1



Fresh air supply



Stale air exhaust



Physical filtering



Energy recovery



Slim Design



EPS structure



Durable



Good Insulation



Easy Access



Silent Operation



Energy Saving



Smart Control



Filter alarm



Central control



IAQ monitor

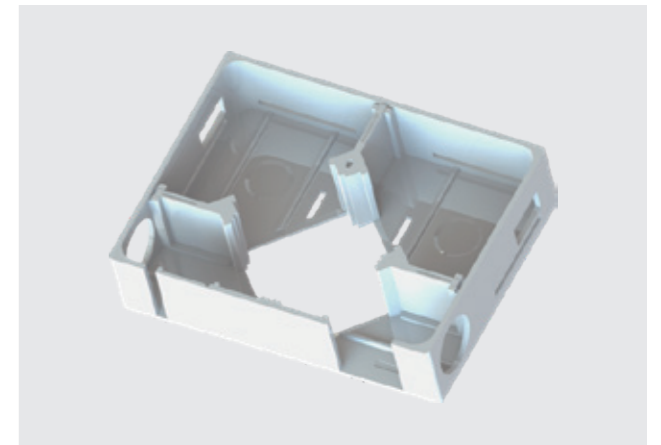
Durable appearance design

- Anticorrosive, beautiful, durable
- Excellent anti-corrosion performance
- Metallic texture



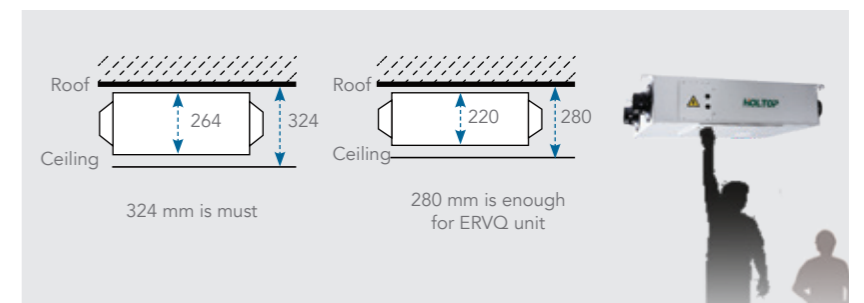
EPS structure

- Integrated EPS for good insulation and air tightness.
- No condensation.
- Light weight, heat preserve, silent, environmental friendly, no odor
- EPS is a high polymer material widely used for building insulation, floor heating, refrigeration, industrial casting and other industries.



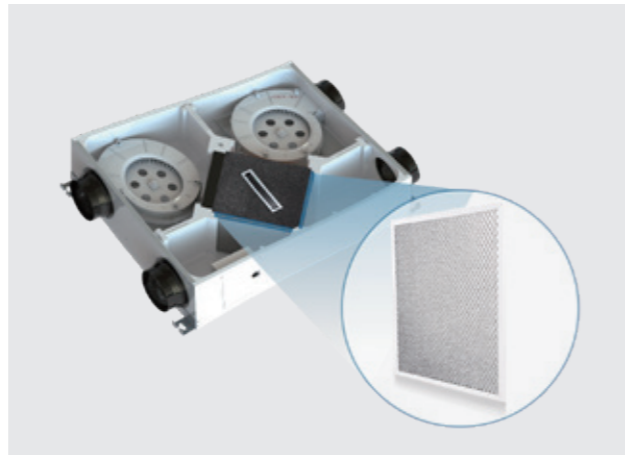
Supper slim body design

Eco-vent pro ventilators are designed specially for the projects which have very strict ventilator height requirement, compared with the traditional congeneric products, eco-vent pro height is 20% off. Access door is at the bottom so maintenance is much easier.



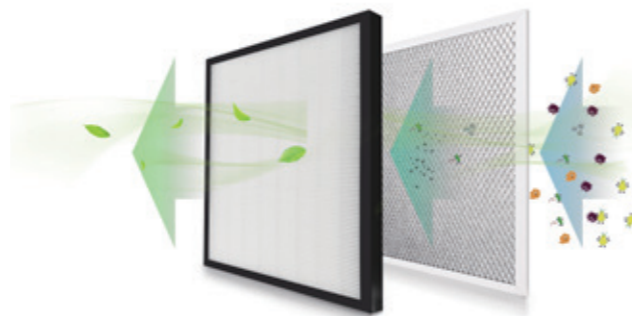
New primary filter

New primary filter is made of aluminium alloy frame and rubber filtration materials with nicer appearance and longer service life.



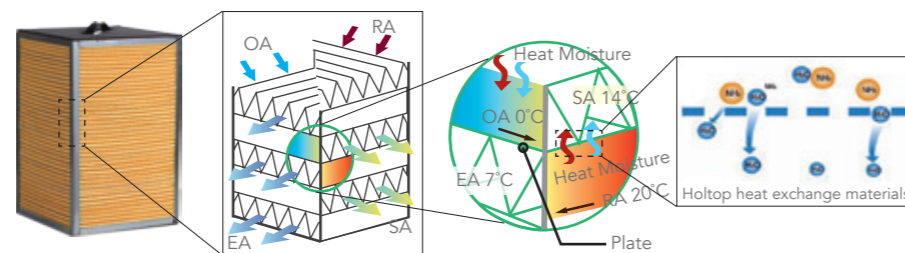
Sub-HEPA F9 filter integrated optional

Optional sub HEPA F9 filter, particle diameter under 2.5µm can be filtered effectively, IAQ (indoor air quality) will be increased obviously.



High efficiency temperature and humidity recovery

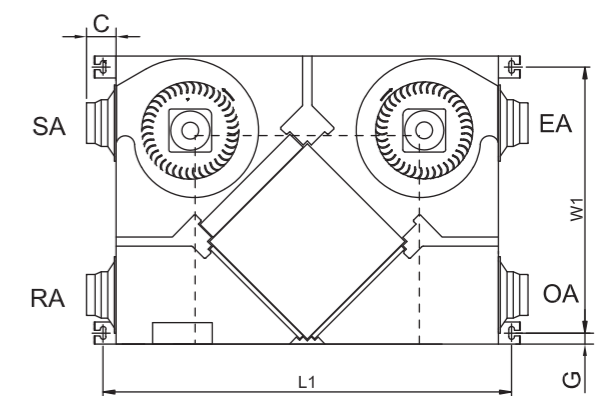
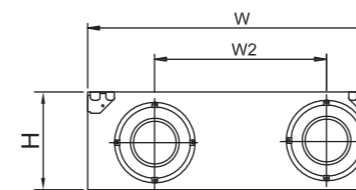
Holtop crossflow enthalpy exchanger is built in the full eco-vent pro series ERV, heat recovery efficiency up to 82% in winter, the allowance of moisture exchange between fresh air and exhaust air make a comfortable indoor temperature and humidity.



Specifications

Model	Fan Speed	Airflow (m³/h)	External pressure (Pa)	Enthalpy Eff.(%)		Temp. Eff. (%)	Noise dB(A)	Current (A)	Input power (W)	Volt. (V)	N. W. (Kg)
				Summer	Winter						
ERVQ-D150-2A1	L	120	45	61	75	82	23	0.45	93	220	29
	M	150	70	59	73	80	31	0.46	98		
	H	150	90	59	73	80	31.5	0.47	102		
ERVQ-D250-2A1	L	210	35	57	70	75	26.5	0.58	123	220	32
	M	250	50	55	68	73	33.5	0.60	148		
	H	250	100	55	68	73	34	0.71	150		
ERVQ-D350-2A1	L	240	40	62	73	81	31	0.97	209	220	42
	M	350	110	57	68	76	36.5	1.05	230		
	H	350	130	57	68	76	37	1.07	233		

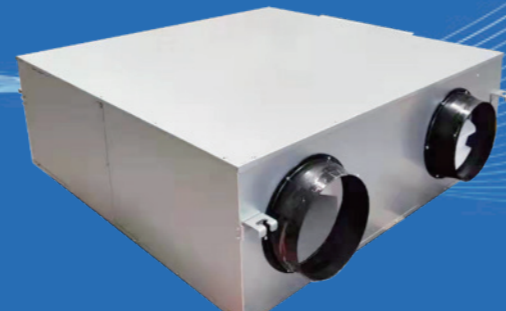
Dimensions



Model	L	L1	W	W1	W2	H	H1	C	G	N
ERVQ-D150-2A1	860	920	685	618	405	220	-	70	26	Ø98
ERVQ-D250-2A1	930	990	700	633	425	220	-	70	26	Ø144
ERVQ-D350-2A1	1070	1130	820	753	550	230	-	70	26	Ø144



XHBQ-D6THC~XHBQ-D13THC



XHBQ-D6PMTHC~XHBQ-D13PMTHC



Fresh air supply



Stale air exhaust



Physical filtering



Energy recovery



EPS structure



Durable



Good Insulation



Easy Access



Silent operation



Bypass function



Energy Saving



Smart Control



Filter alarm



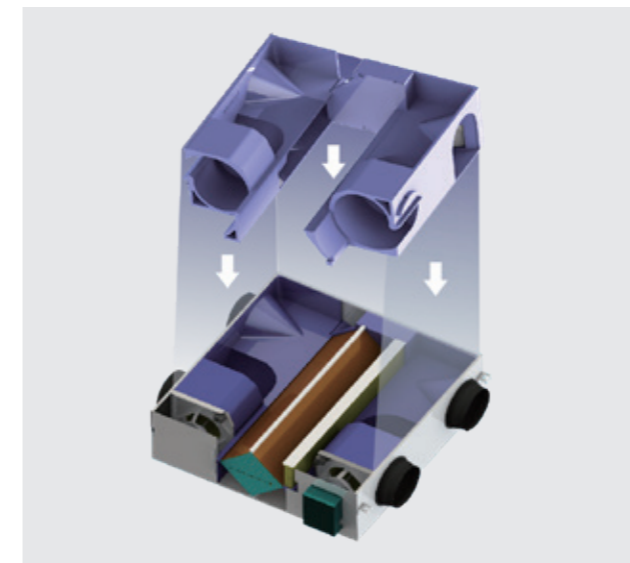
Central control



IAQ monitor

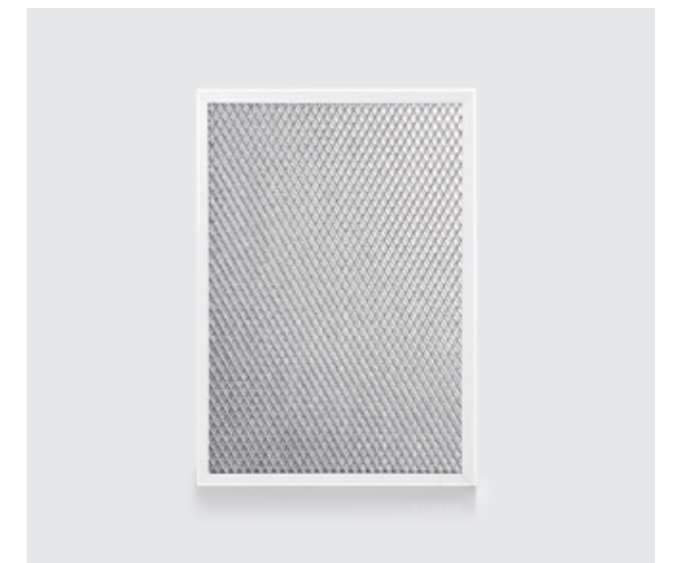
Good thermal insulation

The whole series are intergated with EPS structure, effectively preventing condensation, and improving thermal insulation and saving energy consumption.



New primary filter

New primary filter is made of aluminium alloy frame and rubber filtration materials with nice appearance and longer service life.



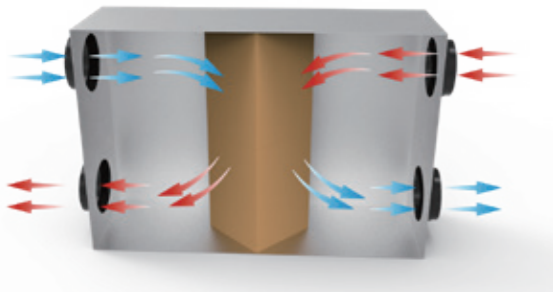
Sub-HEPA F9 filter integrated optional

Optional sub HEPA F9 filter, particle diameter under 2.5µm can be filtered effectively, IAQ (indoor air quality) will be increased obviously.



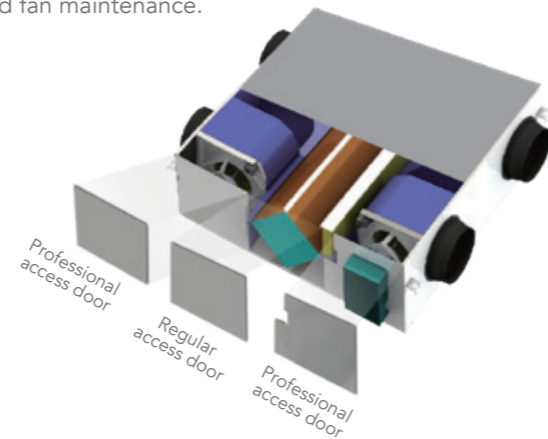
New compact structure

New airflow channels are to increase heat exchange surface and improve energy recovery efficiency.



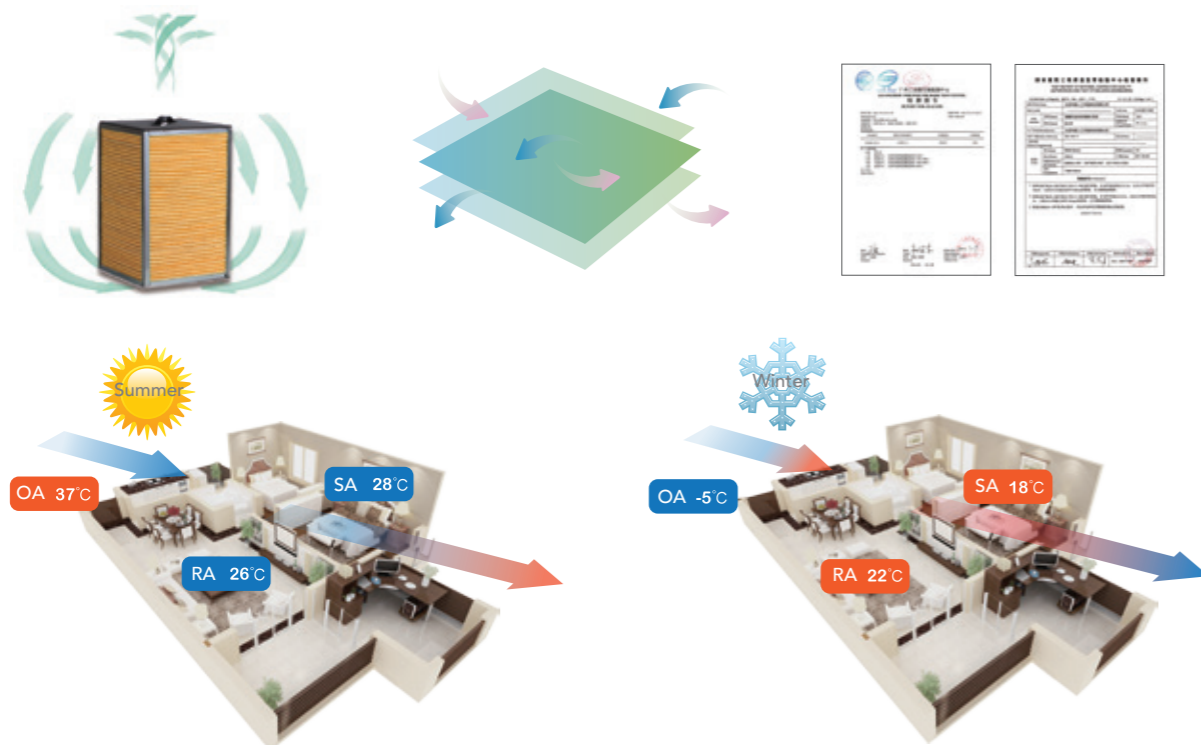
Easy maintenance

- Regular access door is for maintenance of primary filter, PM2.5 filter and heat exchangers.
- Increase two professional access doors for the control and fan maintenance.



Higher efficiency with 3rd generation enthalpy exchanger

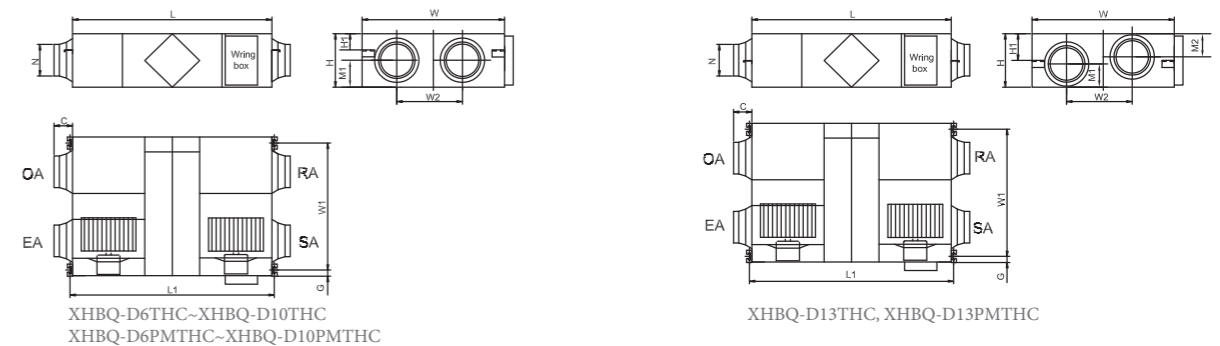
The 3rd generation enthalpy exchanger is made of the latest nanofiber structure to ensure higher efficiency. The heat exchange materials are mildew resistance and fire retardance.



Specifications

Model	Fan Speed	Airflow (m³/h)	External pressure (Pa)	Enthalpy Eff.(%)		Temp. Eff. (%)	Noise dB(A)	Current (A)	Input power (W)	N. W. (Kg)	Remarks
				Summer	Winter						
XHBQ-D6THC	L	500	89	63	67	76	29	0.96	0.20	34	Without PM2.5 filters
	M	600	92	59	61	70	35				
	H	600	97	59	61	70	39				
XHBQ-D8THC	L	700	92	57	63	74	34	2	0.42	53	
	M	800	96	55	57	68	39				
	H	800	100	55	57	68	41				
XHBQ-D10THC	L	900	80	60	64	76	34	2.1	0.45	61	
	M	1000	85	58	62	70	38				
	H	1000	86	58	62	70	42				
XHBQ-D13THC	L	1000	75	58	62	76	38	3.2	0.68	71	
	M	1300	85	56	59	70	41				
	H	1300	90	56	59	70	43				
XHBQ-D6PMTHC	L	500	79	63	67	76	29	0.92	0.20	35	With PM2.5 filter
	M	600	85	59	61	70	35				
	H	600	87	59	61	70	39				
XHBQ-D8PMTHC	L	700	82	57	63	74	34	2	0.42	54	
	M	800	86	55	57	68	39				
	H	800	90	55	57	68	41				
XHBQ-D10PMTHC	L	900	70	60	64	76	34	2.1	0.45	62	
	M	1000	76	58	62	70	38				
	H	1000	76	58	62	70	42				
XHBQ-D13PMTHC	L	1000	65	58	62	76	38	3.2	0.68	72	
	M	1300	80	56	59	70	41				
	H	1300	80	56	59	70	43				



Dimensions



Model	L	L1	W	W1	W2	H	H1	C	G	M1	M2	N
XHBQ-D6THC, XHBQ-D6PMTHC	867	922	902	833.5	451.5	280	115.5	107	26	139.5	/	Ø194
XHBQ-D8THC, XHBQ-D8PMTHC	1134	1189	884	818	378	388	128	85	26	194	/	Ø242
XHBQ-D10THC, XHBQ-D10PMTHC	1134	1189	1134	1068	628	388	128	85	26	194	/	Ø242
XHBQ-D13PMTHC, XHBQ-D13PMTHC	1193	1248	1243	1173	629.5	388	133	85	26	139.5	241	Ø242



Controller

Controller	 HDK-19V-E		 HDK-19S-E	
Suitable models	ERVQ-D150-2A1~ ERVQ-D350-2A1, (With PM2.5 filter type)	XHBQ-D6PMTHC~ XHBQ-D13PMTHC	ERVQ-D150-2A1~ ERVQ-D350-2A1 (Without PM2.5 filter type)	XHBQ-D6THC~ XHBQ-D13THC
Temperature display	✓		✓	
Time display	✓		✓	
Day display	✓		✓	
Weekly timer	✓		✓	
Speed selection	✓		✓	
Auto/Manual mode selection	✓		✓	
Bypass	✗	✓	✗	✓
Filter alarm	✓		✓	
Lock screen function	✓		✓	
Indoor air quality monitor	✓		✗	
RS485 connector	✓		✓	