

**HOLTOP**

**FRESH AIR FOR YOUR LIFE**

**HOLTOP**

**Beijing Holtop Air Conditioning Co.,Ltd**

No. 5 Yard, 7th Guanggu Street, Badaling Economic Development Zone,  
Yanqing District, Beijing, China

Telephone: +400-628-2002

Website: [www.holtop.com.cn](http://www.holtop.com.cn)

E-mail: [export@holtop.com.cn](mailto:export@holtop.com.cn)



360°FACTORY TOUR



FACEBOOK



**ECO-SMART** **PRO**  
Energy Recovery Ventilators



\* Data is subject to changes without notification due to product improvement



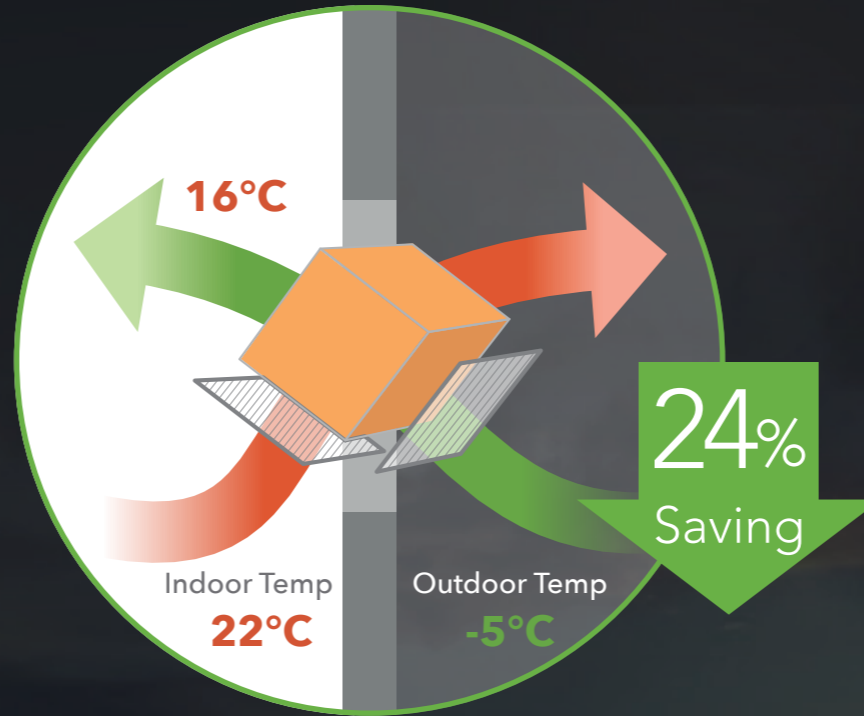
**Night Time Free Cooling**

Supplies cool air during nighttime to reduce cooling load



**Timer Operation**

ON/OFF timer can be set by users for automatic control to minimize the unnecessary operation



**Comfort Air + Energy Saving**

Compare to natural ventilation

High efficiency heat exchanger recover wasted energy while ventilating.



**CO<sub>2</sub> Operation**

Controls the fan speed automatically according to CO<sub>2</sub> level



**Seasonal Auto Operation**

Automatically changes operation mode based on the weather condition by sensing different temperature.

**ERV saves energy Max.39% compare to natural ventilation**

**FRESH AIR IS ESSENTIAL TO IMPROVE BUILDING AIR QUALITY.  
WE IMPROVE THE QUALITY OF AIR,  
SO YOU CAN ENJOY THE QUALITY OF LIFE.**

FRESH AIR MAKES YOU HEALTHY  
FRESH AIR MAKES YOU EFFICIENT  
FRESH AIR MAKES YOU COMFORTABLE  
FRESH AIR MAKES YOU SLEEP BETTER

**FRESH AIR FOR YOUR LIFE**



Model Descriptions



- 1 ECO-SMART PRO energy recovery ventilator
- 2 Installation type, D for suspended type
- 3 Rated airflow (m<sup>3</sup>/h), for airflow more than 1000m<sup>3</sup>/h, H is for a hundred
- 4 Series Code
- 5 A is with AC motor B is with DC motor
- 6 Design No.
- 7 F for OEM design, blank for standard model

**ECO-SMART** PRO  
Energy Recovery Ventilators



ERVQ-D150-2B1 / ERVQ-D250-2B1 /ERVQ-D350-2B1



DC motor



10 speeds



Physical filtering



Energy recovery



Slim design



EPS structure



Durable



Good insulation



Easy access



Silent operation



Energy saving



Smart control



Filter alarm



Central control



IAQ monitor



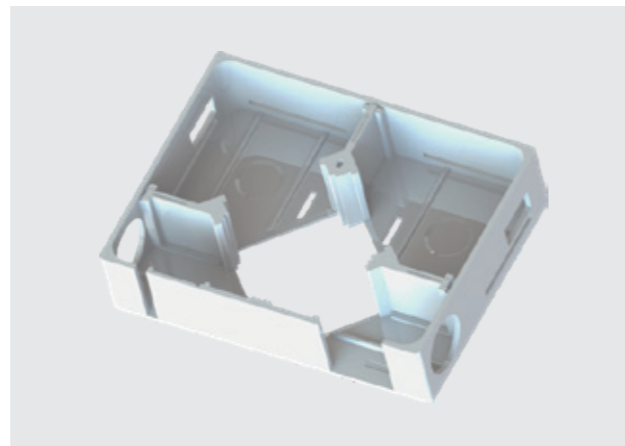
## Durable Appearance Design

- Anticorrosive, beautiful, durable
- Excellent anti-corrosion performance
- Metallic texture



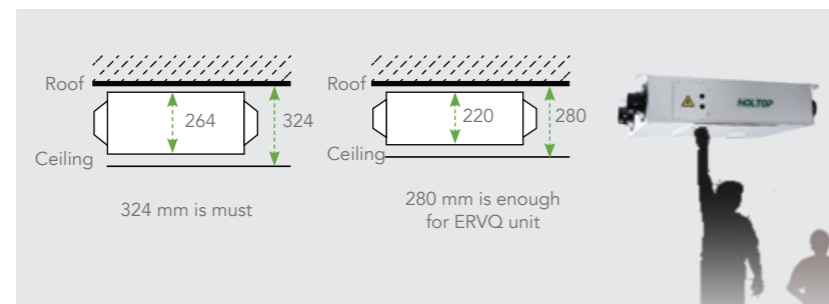
## EPS Structure

- Integrated EPS for good insulation and air tightness.
- No condensation.
- Light weight, heat preserve, silent, environmental friendly, no odor
- EPS is a high polymer material widely used for building insulation, floor heating, refrigeration, industrial casting and other industries.



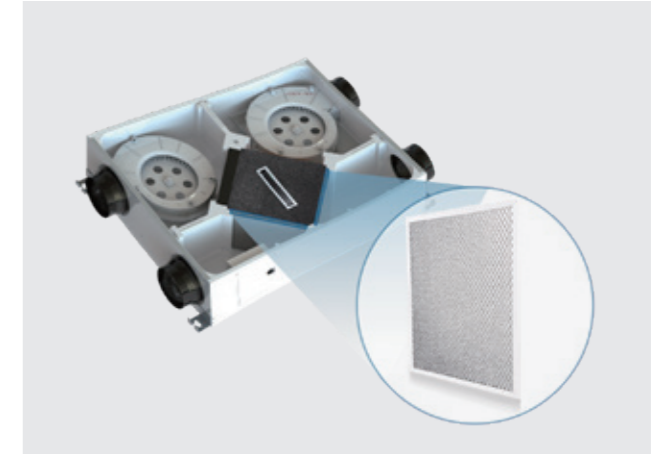
## Supper Slim Body Design

Eco-vent pro ventilators are designed specially for the projects which have very strict ventilator height requirement, compared with the traditional congeneric products, eco-vent pro height is 20% less. Access door is at the bottom so maintenance is much easier.



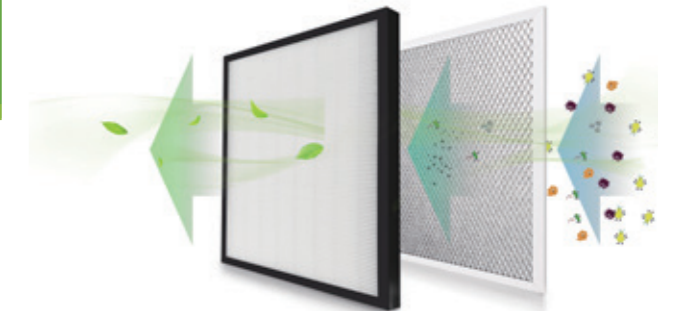
## New Primary Filter

New primary filter is made of aluminium alloy frame and rubber filtration materials with nicer appearance and longer service life.



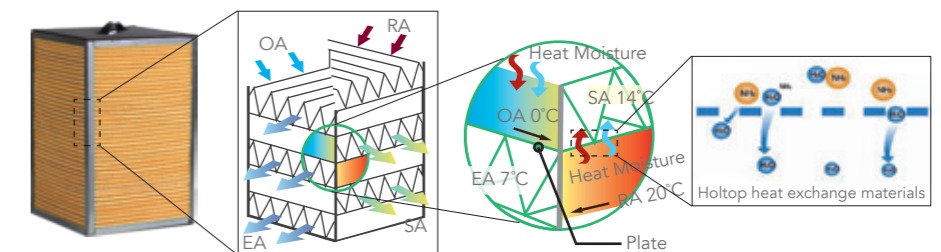
## Sub-HEPA F9 Filter Integrated Optional

Optional sub HEPA F9 filter, particle diameter under  $2.5\mu\text{m}$  can be filtered effectively, IAQ (indoor air quality) will be increased obviously.

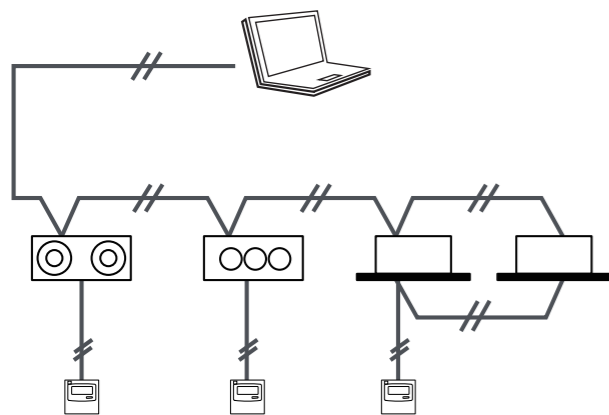


## High Efficiency Temperature and Humidity Recovery

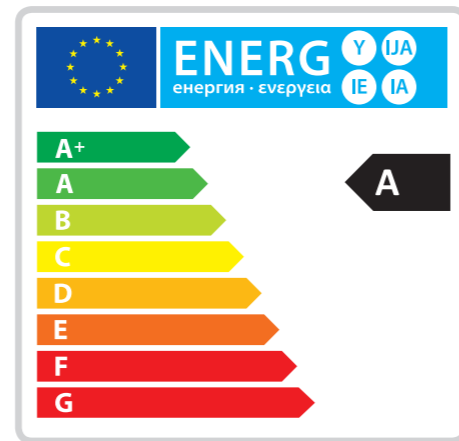
The full Eco-Smart Pro series ERV is built with Holtop crossflow enthalpy exchanger, with efficiency up to 82% in winter, the allowance of moisture exchange between fresh air and exhaust air make a comfortable indoor temperature and humidity.



### Linkage with External A/C System or BMS Control



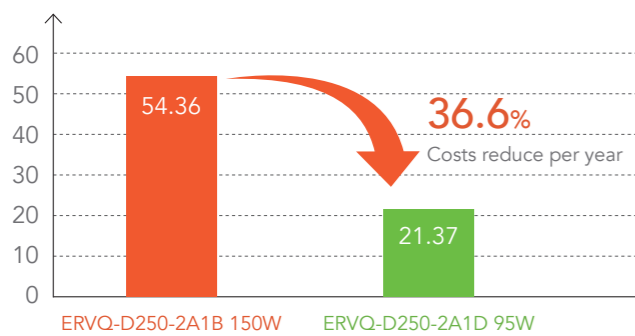
### Energy Efficiency Class of A (According to EU NO. 1254/2014 )



### Higher Energy Efficiency and Ecology by Powerful Motors

Full series Eco Smart energy recovery ventilator are built with higher efficiency brushless DC motors, power consumption is reduced by up to 70%, resulting in significant energy saving. VSD control is suitable for most of the projects air volume and ESP requirement.

Running costs comparison of Eco-vent pro ERV and Eco-smart pro ERV

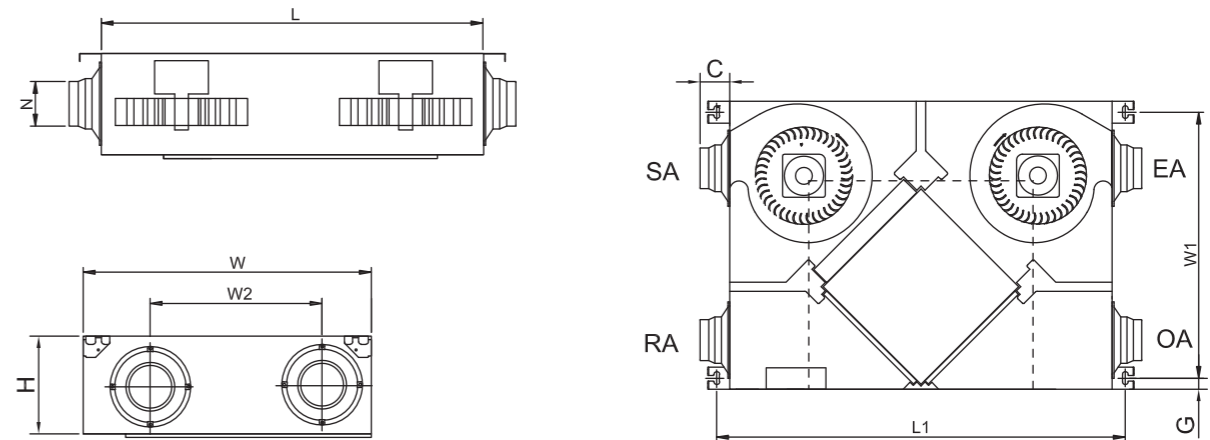


Location: Beijing  
 Airflow: 250 m<sup>3</sup>/h  
 Summer: 24h/day x 122days = 2928h (Jun. To Sep.)  
 Winter: 24h/day x 120days = 2880h (Nov. To Mar.)  
 Electric charge: 0.08 USD/Kw.h

### Specifications

Model	Airflow (m <sup>3</sup> /h)	External pressure (Pa)	Enthalpy Eff.(%)		Temp. Eff. (%)	Noise dB(A)	Input power (W)	Volt. (V)	N. W. (Kg)
			Summer	Winter					
ERVQ-D150-2B1	150	90	59-66	73-80	80-89	35	81	220-240	29
ERVQ-D250-2B1	250	100	55-70	68-78	73-82	35	121	220-240	32
ERVQ-D350-2B1	350	130	57-70	68-78	76-83	37	208	220-240	42

### Dimensions

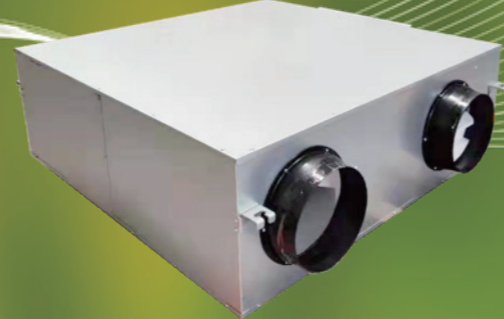


Model	L	L1	W	W1	W2	H	H1	C	G	N
ERVQ-D150-2A1 ERVQ-D150-2B1	860	920	685	618	405	220	-	70	26	Ø98
ERVQ-D250-2A1 ERVQ-D250-2B1	930	990	700	633	425	220	-	70	26	Ø144
ERVQ-D350-2A1 ERVQ-D350-2B1	1070	1130	820	753	550	230	-	70	26	Ø144





XHBQ-D6DCTHC~XHBQ-D13DCTHC



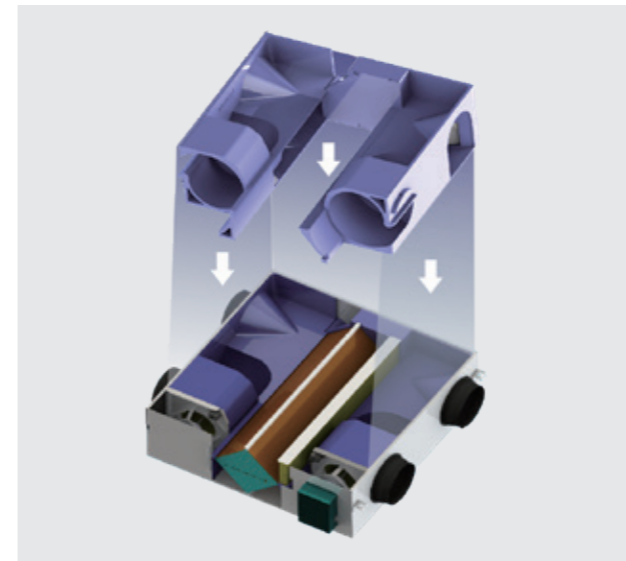
XHBQ-D6DCPMTHC~XHBQ-D13DCPMTHC

- |                       |                        |                    |                                  |                             |
|-----------------------|------------------------|--------------------|----------------------------------|-----------------------------|
| <b>DC</b><br>DC motor | <b>10</b><br>10 speeds | Physical filtering | Energy recovery                  | <b>EPS</b><br>EPS structure |
| <b>D</b><br>Durable   | Good insulation        | Easy access        | Silent operation                 | Bypass function             |
| Energy saving         | Smart control          | Filter alarm       | <b>RS-485</b><br>Central control | IAQ monitor                 |



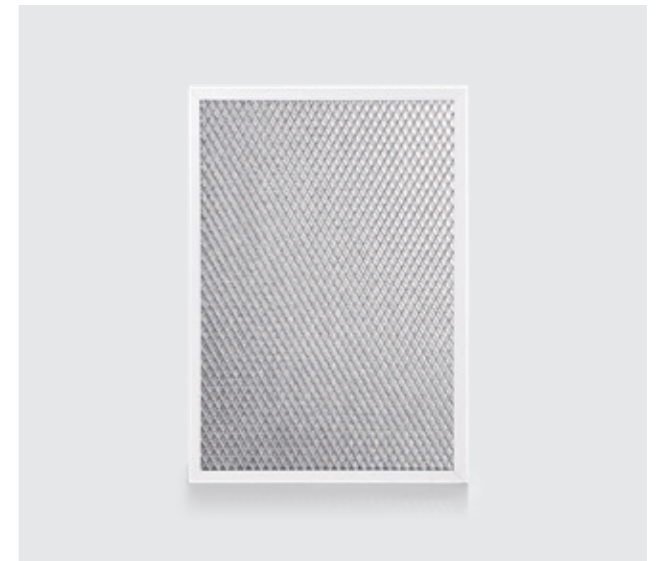
### Good Thermal Insulation

The whole series are intergated with EPS structure, effectively preventing condensation, and improving thermal insulation and saving energy consumption.



### New Primary Filter

New primary filter is made of aluminium alloy frame and rubber filtration materials with nice appearance and longer service life.



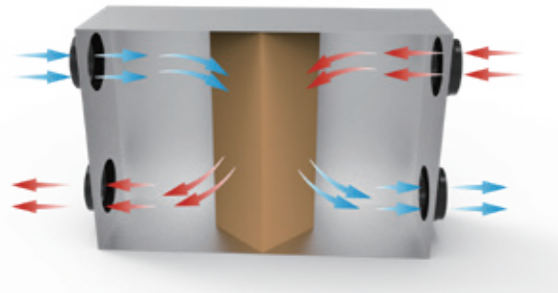
### Sub-HEPA F9 Filter Integrated Optional

Optional sub HEPA F9 filter, particle diameter under 2.5µm can be filtered effectively, IAQ (indoor air quality) will be increased obviously.



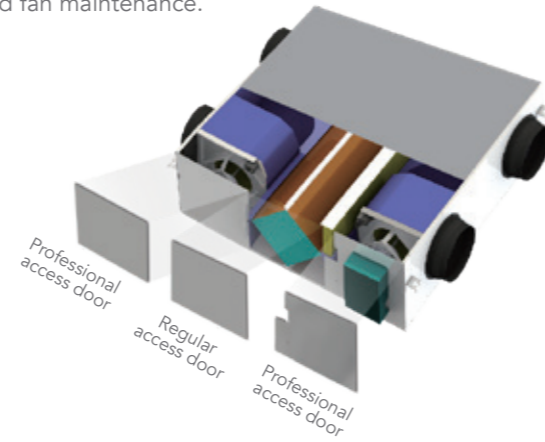
## New Compact Structure

New airflow channels are to increase heat exchange surface and improve energy recovery efficiency.



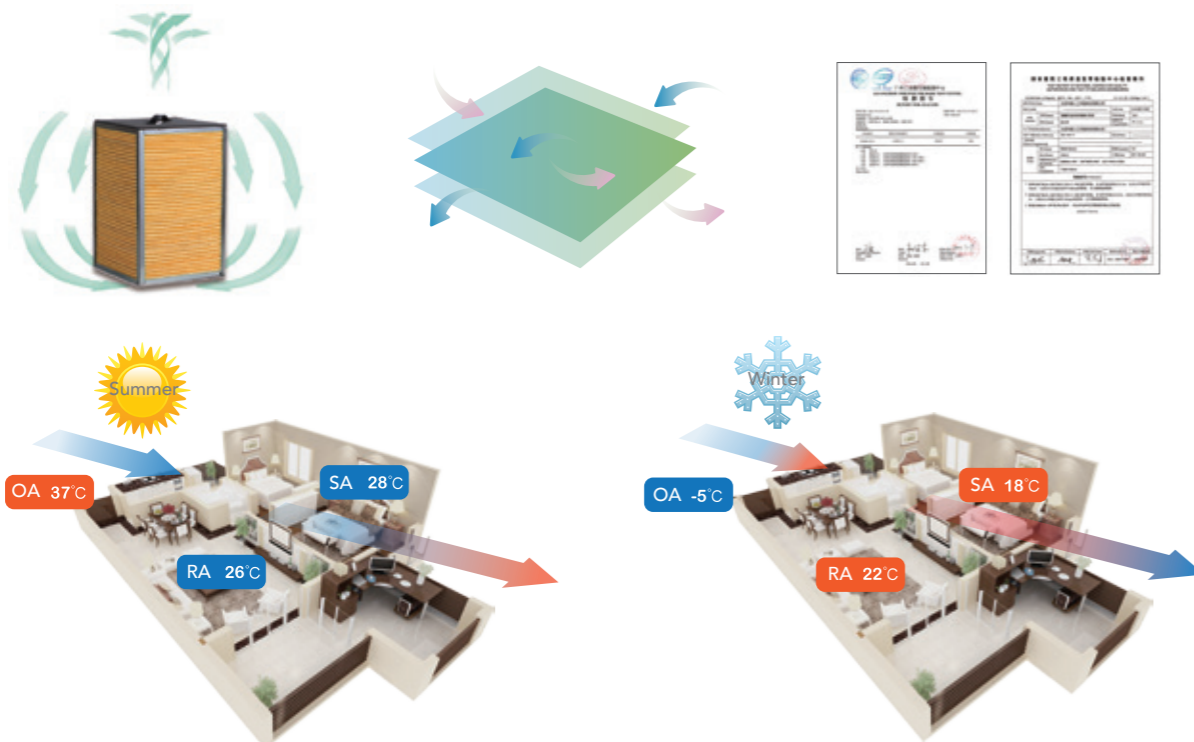
## Easy Maintenance

- Regular access door is for maintenance of primary filter, PM2.5 filter and heat exchangers.
- Increase two professional access doors for the control and fan maintenance.



## Higher Efficiency with 3rd Generation Enthalpy Exchanger

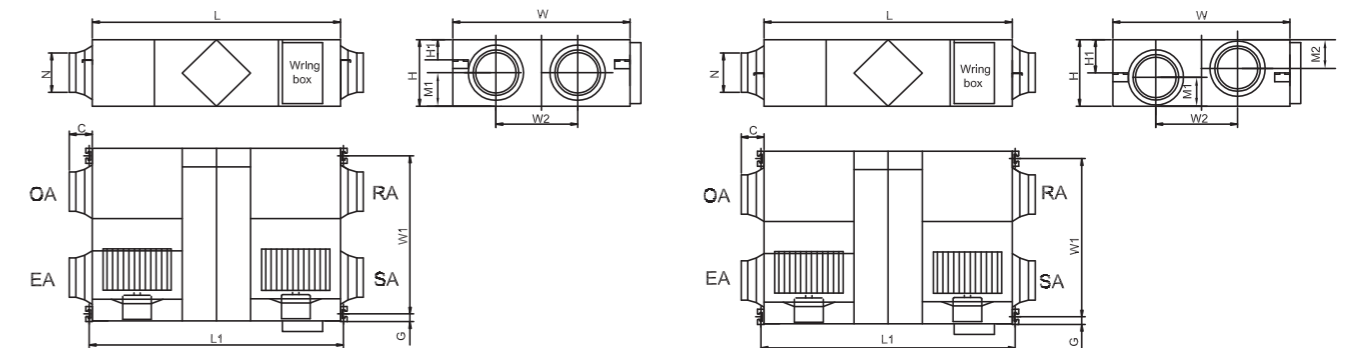
The 3rd generation enthalpy exchanger is made of the latest nanofiber structure to ensure higher efficiency. The heat exchange materials are mildew resistance and fire retardance.



## Specifications

Model	Airflow (m <sup>3</sup> /h)	External pressure (Pa)	Enthalpy Eff.(%)		Temp. Eff. (%)	Noise dB(A)	Voltage (V)	Input power (W)	N. W. (Kg)	Remarks
			Summer	Winter						
XHBQ-D6DCPMTHC	600	87	59-74	61-78	70-83	39	220-240	162	35	With PM2.5 filters
XHBQ-D8DCPMTHC	800	90	55-66	57-76	68-83	41	220-240	290	54	
XHBQ-D10DCPMTHC	1000	76	58-70	62-75	70-83	42	220-240	327	62	
XHBQ-D6DCTHC	600	97	59-74	61-78	68-83	39	220-240	162	34	Without PM2.5 filter
XHBQ-D8DCTHC	800	100	55-66	57-76	68-83	41	220-240	290	53	
XHBQ-D10DCTHC	1000	86	58-70	62-75	70-83	42	220-240	327	61	
XHBQ-D13DCTHC	1300	90	56-68	59-70	70-83	43	220-240	424	71	

## Dimensions



XHBQ-D6DCTHC, XHBQ-D6DCPMTHC ~  
XHBQ-D10DCTHC, XHBQ-D10DCPMTHC

XHBQ-D13DCTHC, XHBQ-D13DCPMTHC

Model	L	L1	W	W1	W2	H	H1	C	G	M1	M2	N
XHBQ-D6DCTHC, XHBQ-D6DCPMTHC	867	922	902	833.5	451.5	280	115.5	107	26	139.5	/	Ø194
XHBQ-D8DCTHC, XHBQ-D8DCPMTHC	1134	1189	884	818	378	388	128	85	26	194	/	Ø242
XHBQ-D10DCTHC, XHBQ-D10DCPMTHC	1134	1189	1134	1068	628	388	128	85	26	194	/	Ø242
XHBQ-D13DCTHC, XHBQ-D13DCPMTHC	1193	1248	1243	1173	629.5	388	133	85	26	139.5	241	Ø242





## Intelligent Controller

Intelligent control	 HDK-CK-20	
Type	Black cool intelligent control	
Suitable series	XHBQ-D6DCTHC- XHBQ-D13DCTHC XHBQ-D6DCPMTHC- XHBQ-D13DCPMTHC	ERVQ-D150-D350-2A1 ERVQ-D150-D350-2B1
Temperature display	✓	
10 speed	✓	
Weekly timer	✓	
Bypass	Auto	✗
External ON/OFF	✓	
Comfortable heater control	✓	
Defrosting	✓	
CO <sub>2</sub> control	✓	
Filter alarm	✓	
Fault alarm	✓	
Data memory	✓	
Night free cooling	✓	✗
BMS integration	✓	
Humidity control	✓	
Defrosting heater control	✓	
Working condition monitor	✓	
Sleep mode	✓	
Wifi function	✗	

\*The MOQ for intelligent controller HDK-CK-20 is 100pcs.

Optional CO<sub>2</sub> sensor or temperature and humidity sensor and heater, please mark it on your RFQ if you need it.